

Paper Cassette Type 480 (B759)

Paper Cassette Type 480 (B759)

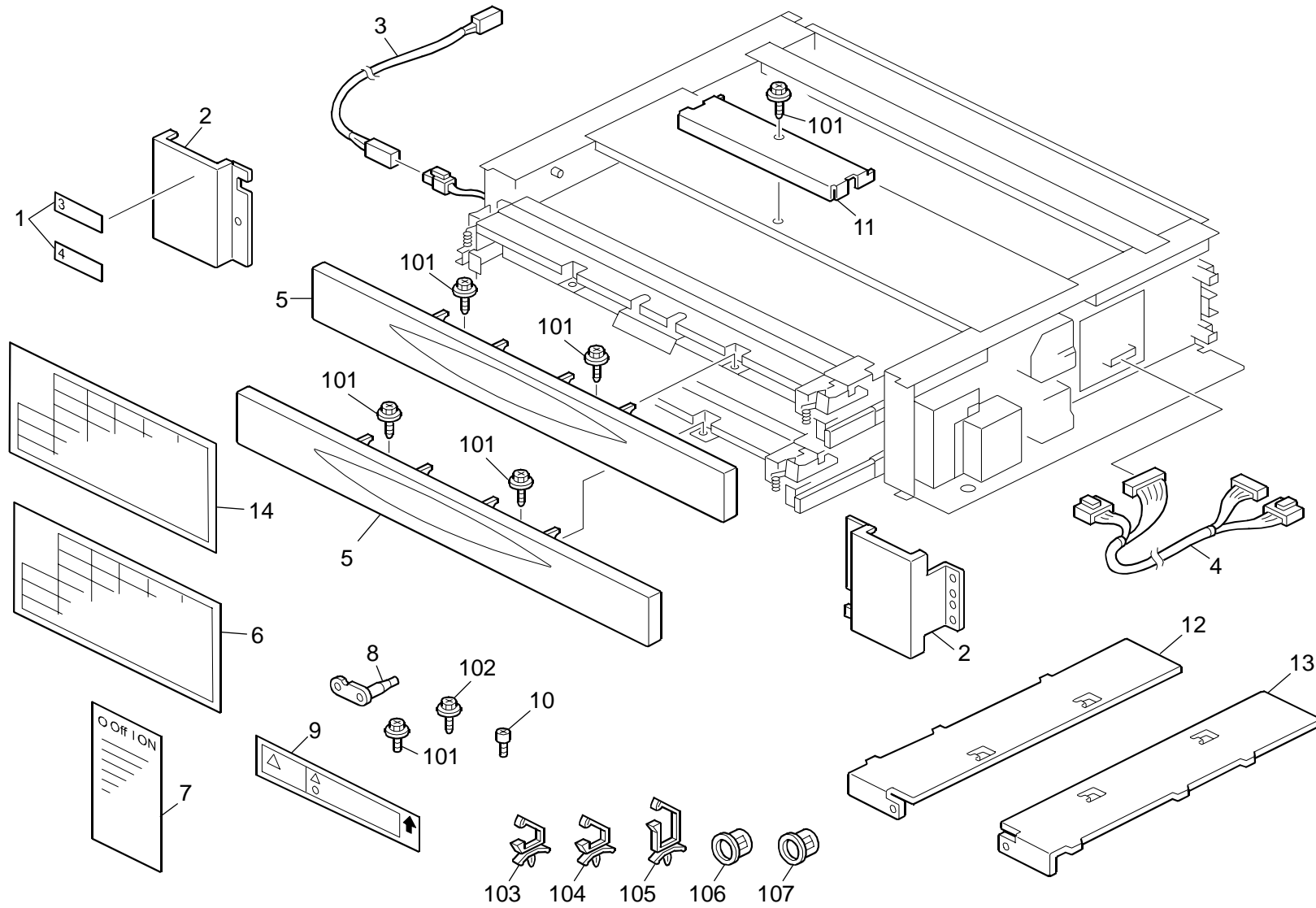
PARTS CATALOG

This catalog gives the numbers and names of parts on this machine.

1.Exterior (B759).....	2
2.Paper Tray (B759)	4
3.Paper Feed 1 (B759)	6
4.Paper Feed 2 (B759)	8
5.Paper Feed 3 (B759)	10
6.Drive And Electrical (B759).....	12
7.Frame Section (B759).....	14
Parts Index	17

April ,28 ' 2005

1.Exterior (B759)

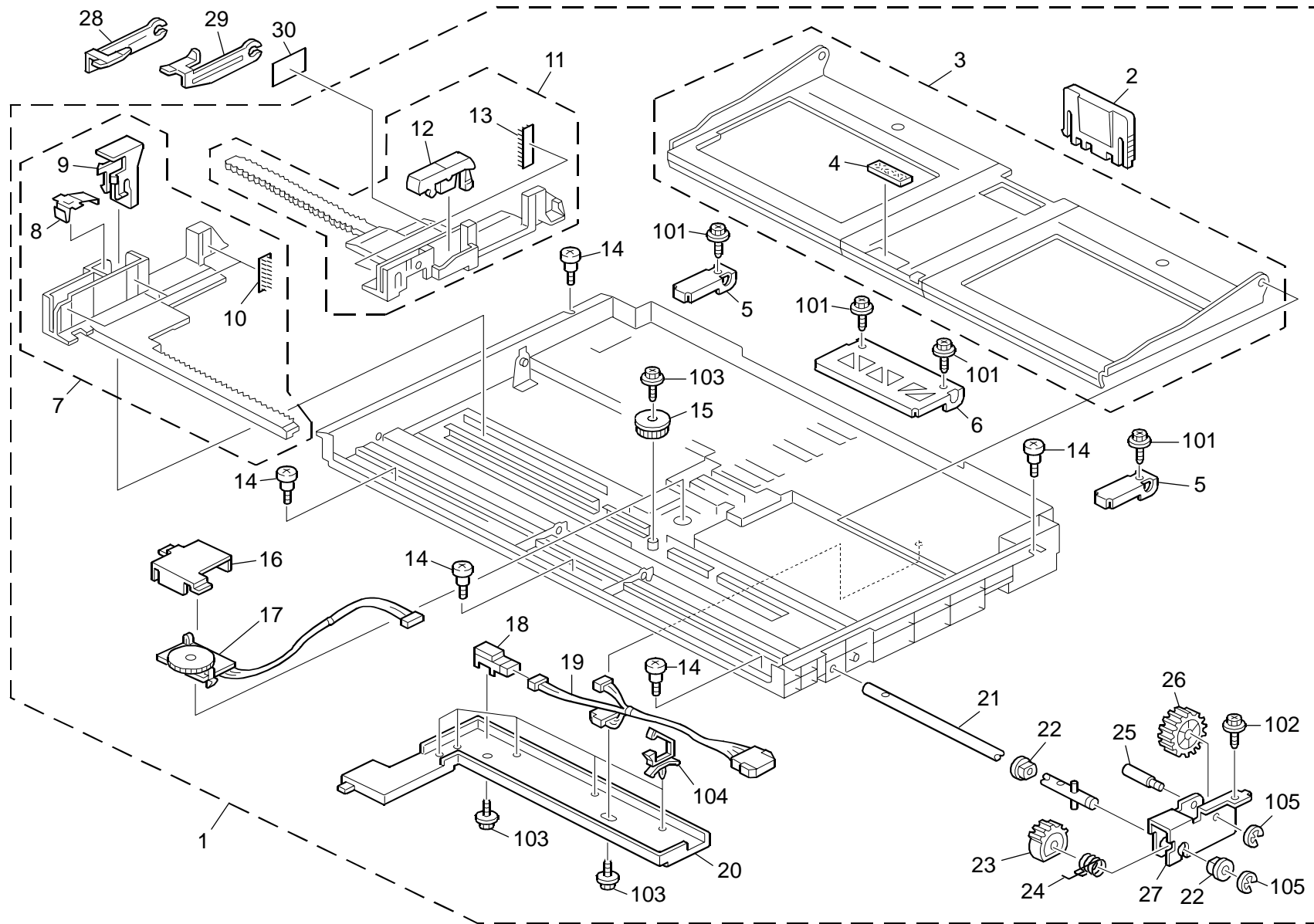


1.Exterior (B759)

Index No.	Part No.	Description	Q'ty Per Assembly
1	B192 7502	Decal:Paper Tray:Display	1
2	B192 7501	Cover:Left And Right	2
3	B192 5869	Harness:Paper Feed Tray:Dehumidifier	1
4	B192 5870	Harness:DC:IOB-pFB	1
5	B192 7445	Cover:Front:Paper Tray	2
6	B192 7504	Decal:Size Indication	1
7	B192 7505	Decal:Dehumidifier:Switch	1
8	B104 4331	Arm Bracket Ass'y	2
9	B192 7506	Decal:Warning (High Temperature):A2	1
10	5918 3120	Stud - M4	2
11	B192 7063	Cover:Drive Sub-unit:Pickup	1
12	B192 7508	Cover:Left	1
13	B192 7507	Cover:Right	1
14	B192 7472	Decal:Cassette:Multi-language:EU	1

Index No.	Part No.	Description	Q'ty Per Assembly
101	0451 3008N	Tapping Screw - M3x8	
102	0451 4008N	Tapping Screw:4x8	
103	1105 0487	Harness Clamp	
104	1105 0488	Harness Clamp	
105	1105 0517	Harness Clamp - LWS-2111Z	
106	1106 0349	Bushing - 25	
107	1106 0411	Bushing - 11.5mm	

2.Paper Tray (B759)

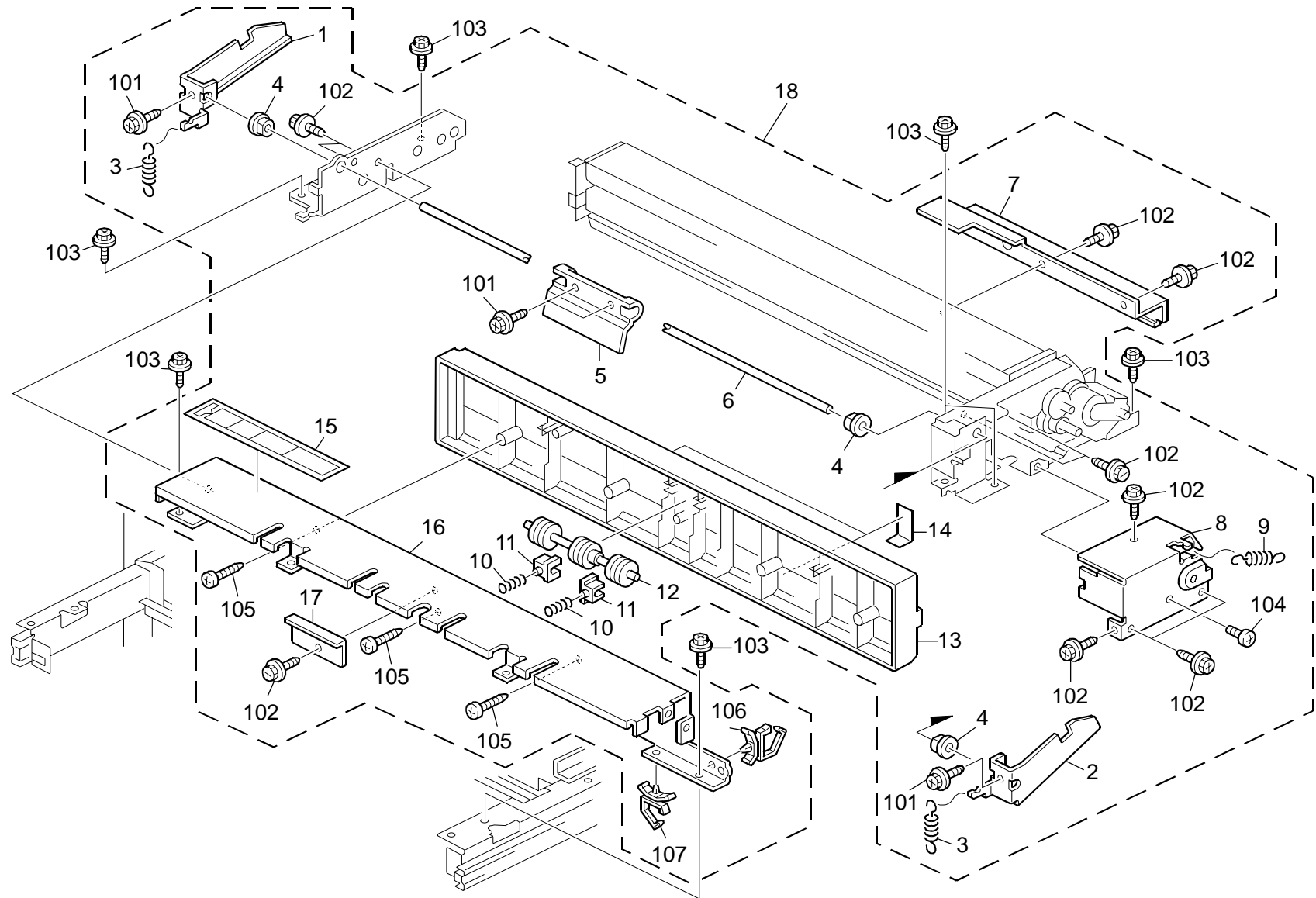


2.Paper Tray (B759)

Index No.	Part No.	Description	Q'ty Per Assembly
1	B192 7266	Paper Tray:Lower Position:Sub-Ass'y	1
1	B759 7271	Paper Tray:Lower Position:EU:Sub-Ass'y	1
2	B192 7262	End Fence	2
3	B192 7256	Base Plate:A2:Ass'y	2
4	AF01 3014	Bottom Plate Pad	2
5	B192 7309	Lever:Auxiliary:Base Plate:Rise	4
6	B192 7308	Lever:Base Plate:Rise	2
7	B192 7258	Side Fence:Left:Ass'y	2
8	A134 2978	Spring Plate	2
9	A134 2976	Stopper Lever	2
10	A222 6374	Pad:Side Fence:Inner Back:Small	6
11	B192 7260	Side Fence:Right:Ass'y	2
12	B039 2821	Rear Stopper Lever	2
13	A222 6373	Pad:Side Fence:Front:Small	6
14	A193 1759	Stepped Screw	10
15	AB01 3868	Gear - 16Z	2
16	B192 7254	Cover:Rotary Switch	2
17	B192 7255	Rotary Switch:Paper Size Sensor	2
18	AW01 0107	Paper Feed Sensor	8
19	B192 5865	Harness:DC:Cassette:Sensor	2
20	B192 7253	Cover:Paper Size Sensor	2
21	B192 7306	Shaft:Rise:Press Fit	2
22	AA08 2070	Bushing - 8x16x7	14
23	B192 7300	Gear:20z	2
24	B192 7240	Spring:Return:Gear:Rise	2
25	B192 7296	Shaft:Rise:Gear:Middle	2
26	B192 7498	Gear:20z	2
27	B192 7295	Vibrating Plate:Gear:Rise	2
28	B104 2949	Front Pawl	1
29	B104 2954	Rear Pawl	1
30	B192 7280	Decal:Paper:Side Fence:NA	1
30	B192 7462	Decal:Side Fence:F3:NA	1

Index No.	Part No.	Description	Q'ty Per Assembly
101	0451 4008N	Tapping Screw:4x8	
102	0451 3006N	Tapping Screw - 3x6	
103	0450 4008N	Tapping Screw - M4x8	
104	1105 0511	Harness Clamp - LWS-0306ZC	
105	0720 0060E	Retaining Ring - M6	

3.Paper Feed 1 (B759)

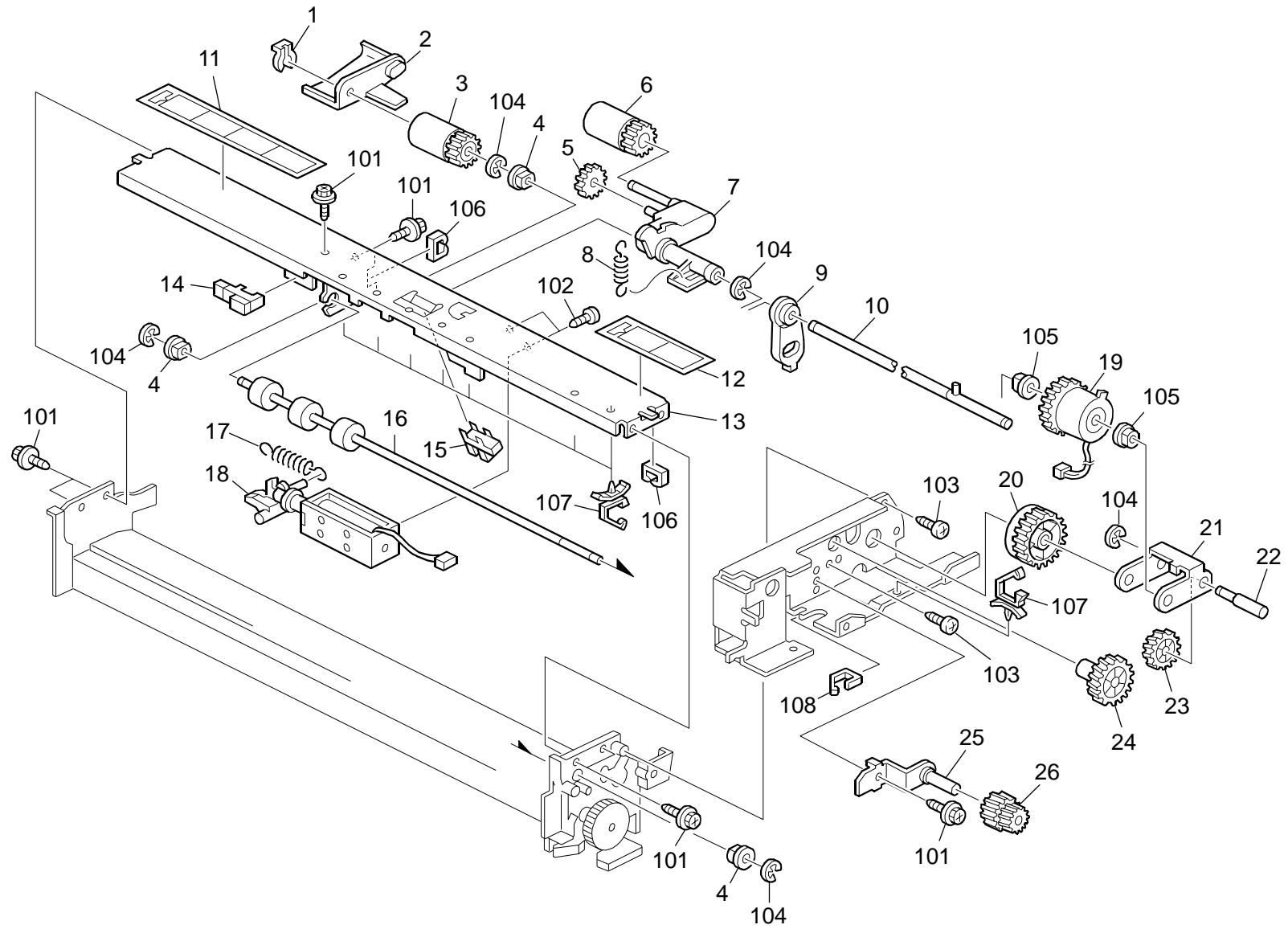


3.Paper Feed 1 (B759)

Index No.	Part No.	Description	Q'ty Per Assembly
1	B192 7271	Pawl:Lock:Left	2
2	B192 7274	Pawl:Lock:Right	2
3	5403 1030	Tension Spring	4
4	AA08 2070	Bushing - 8x16x7	14
5	B010 2900	Grip Lever	2
6	B192 7272	Shaft:Pawl:Lock:Coupling	2
7	B192 7382	Cover:Stay	2
8	B192 7440	Drum Stay:Paper Feed Unit:Drive	2
9	AA06 0982	Spring:Lever:Lock	2
10	B104 2676	Vertical Transport Spring	4
11	AA08 0232	Bushing - M4	4
12	AF02 0295	Vertical Driven Roller	2
13	B192 7418	Guide Plate:Vertical Transport	2
14	B192 7417	Seal:Vertical Transport	4
15	B192 7448	Decal:Pick-up Paper Jam	2
16	B192 7420	Stay:Vertical Transport	2
17	B192 7421	Inner Cover:Stay:Vertical Transport	2
18	B192 7350	Paper Feed Unit:A2:Ass'y	2

Index No.	Part No.	Description	Q'ty Per Assembly
101	0451 4008N	Tapping Screw:4x8	
102	0451 3008N	Tapping Screw - M3x8	
103	0802 5291	Tapping Screw:Round Point:M3x6	
104	0453 3008N	Binding Self Tapping Screw:3x8	
105	0452 4010N	Binding Self-Tapping Screw:4x10	
106	1105 0511	Harness Clamp - LWS-0306ZC	
107	1105 0487	Harness Clamp	

4.Paper Feed 2 (B759)

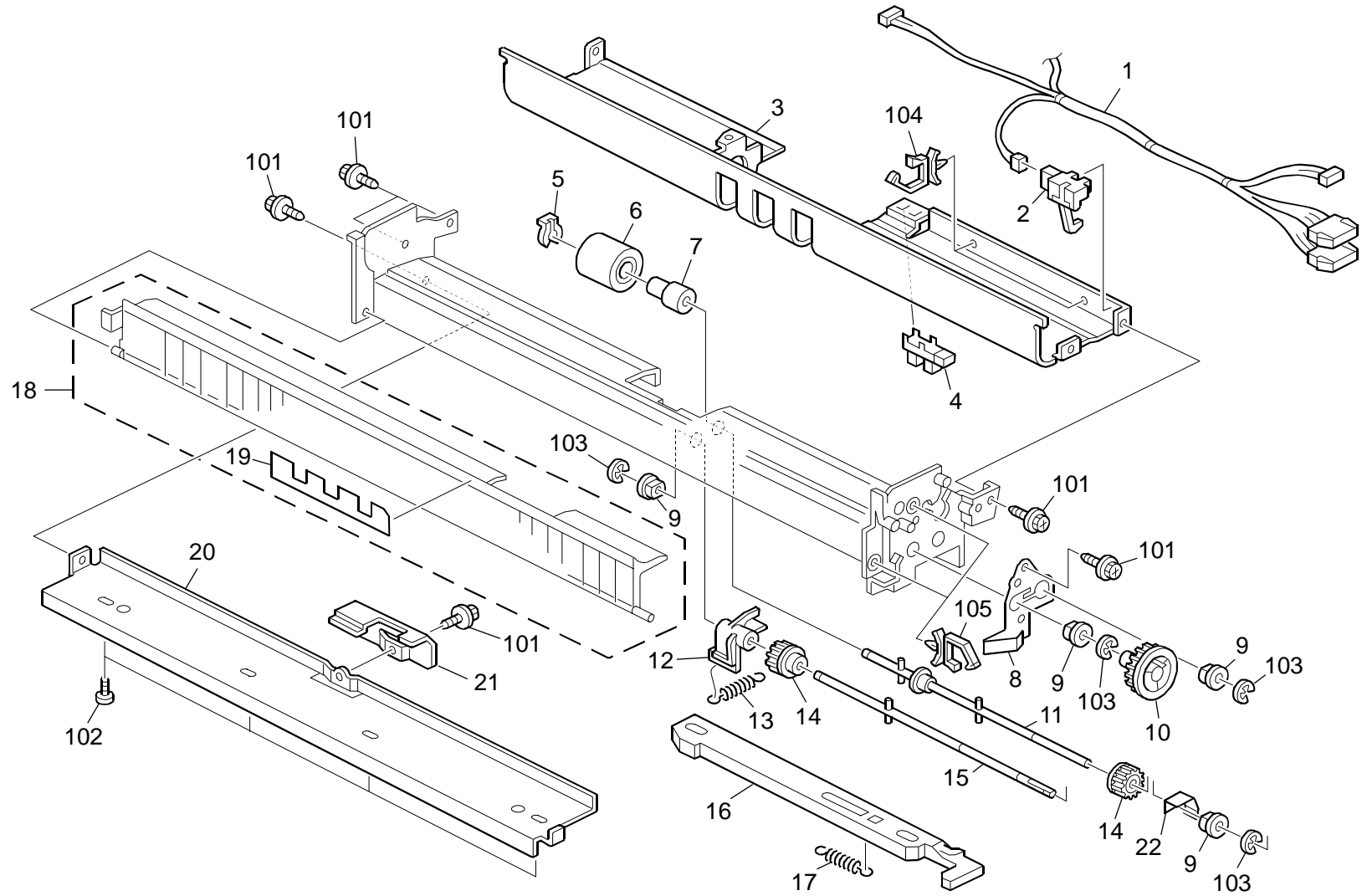


4.Paper Feed 2 (B759)

Index No.	Part No.	Description	Q'ty Per Assembly
1	5447 2681	Snap Ring	4
2	B192 7377	Guide:Paper Feed Roller	2
3	AF03 1065	Pare Feed Roller	2
4	AA08 2101	Bushing - 6x10x6	16
5	B104 2614	Gear - 22Z	2
6	AF03 0051	Pick-up Roller	2
7	B104 2552	Pickup Arm	2
8	B104 2668	Pressure Pickup Spring	2
9	B104 2684	Roller Clutch	2
10	B192 7383	Shaft:Feed:Press Fit	2
11	B192 7449	Decal:Paper Set Direction:A2	2
12	B192 7460	Decal:Installation:Pawl:NA	1
13	B192 7379	Stay:Upper Paper Feed Sub-unit	2
14	AW01 0107	Paper Feed Sensor	8
15	AW02 0145	Photointerruptor:Flat	2
16	B192 7375	Transport Roller:DIA24.05	2
17	B104 2670	Release Pickup Spring	2
18	B192 7376	DC Solenoid:Pickup:Ass'y	2
19	AX20 0275	Spring Clutch:Paper Feed	2
20	B104 2618	Gear - 35Z	2
21	B192 7058	Gear:22z	2
22	B192 7161	Gear:22z	2
23	B192 7151	Gear:22z	2
24	AB01 2836	Gear - 25Z	2
25	B192 7428	Bracket:Gear:Coupling	2
26	B192 7433	Gear:14/19z	2

Index No.	Part No.	Description	Q'ty Per Assembly
101	0451 3008N	Tapping Screw - M3x8	
102	0353 0040N	Screw - M3X4	
103	0452 3008N	Tapping Screw - M3x8	
104	0720 0040E	Retaining Ring - M4	
105	0805 3366	Bushing - 6mm	
106	1105 0329	Clamp - ES-0510	
107	1105 0511	Harness Clamp - LWS-0306ZC	
108	1105 0514	Edge Saddle - EDS-0607L	

5.Paper Feed 3 (B759)

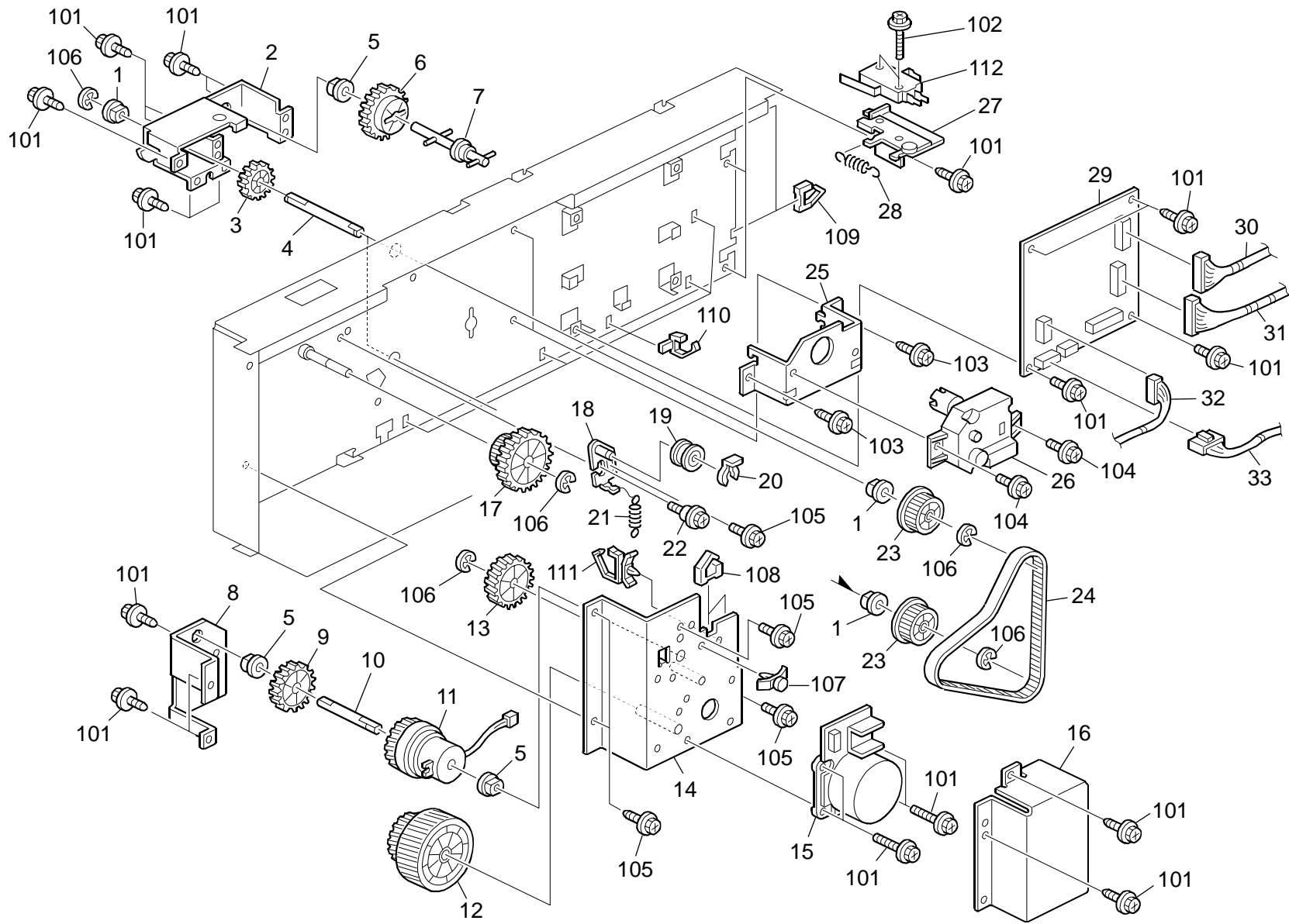


5.Paper Feed 3 (B759)

Index No.	Part No.	Description	Q'ty Per Assembly
1	B192 5864	Harness:DC:Cassette	2
2	AW02 0140	Paper Feed Sensor	2
3	B192 7371	Guide Plate:Upper	2
4	AW01 0107	Paper Feed Sensor	8
5	5447 2681	Snap Ring	4
6	AF03 2050	Separation Roller	2
7	B104 2582	Torque Limiter - 1100	2
8	B192 7410	Ground Plate:Paper Feed Unit	2
9	AA08 2101	Bushing - 6x10x6	16
10	AB01 1158	Gear - 27Z	2
11	B192 7396	Shaft:Driven	2
12	B104 2600	Pressure Plate	2
13	B104 2672	Spring:Separate:Pressure	2
14	AB01 4028	Gear - 18Z	4
15	B192 7393	Shaft:Driv	2
16	B192 7403	Release Plate	2
17	B104 2674	Release Separate Spring	2
18	B192 7406	Guide Plate:Vertical Transport	2
19	B192 7409	Guide:Vertical Transport:Turn	2
20	B192 7400	Stay:Lower	2
21	B192 7412	Guide Plate:Reverse Roller	2
22	B192 7411	Ground Plate:Shaft:Driven	2

Index No.	Part No.	Description	Q'ty Per Assembly
101	0451 3008N	Tapping Screw - M3x8	
102	0452 3008N	Tapping Screw - M3x8	
103	0720 0040E	Retaining Ring - M4	
104	1105 0511	Harness Clamp - LWS-0306ZC	
105	1105 0534	Clamp	

6. Drive And Electrical (B759)

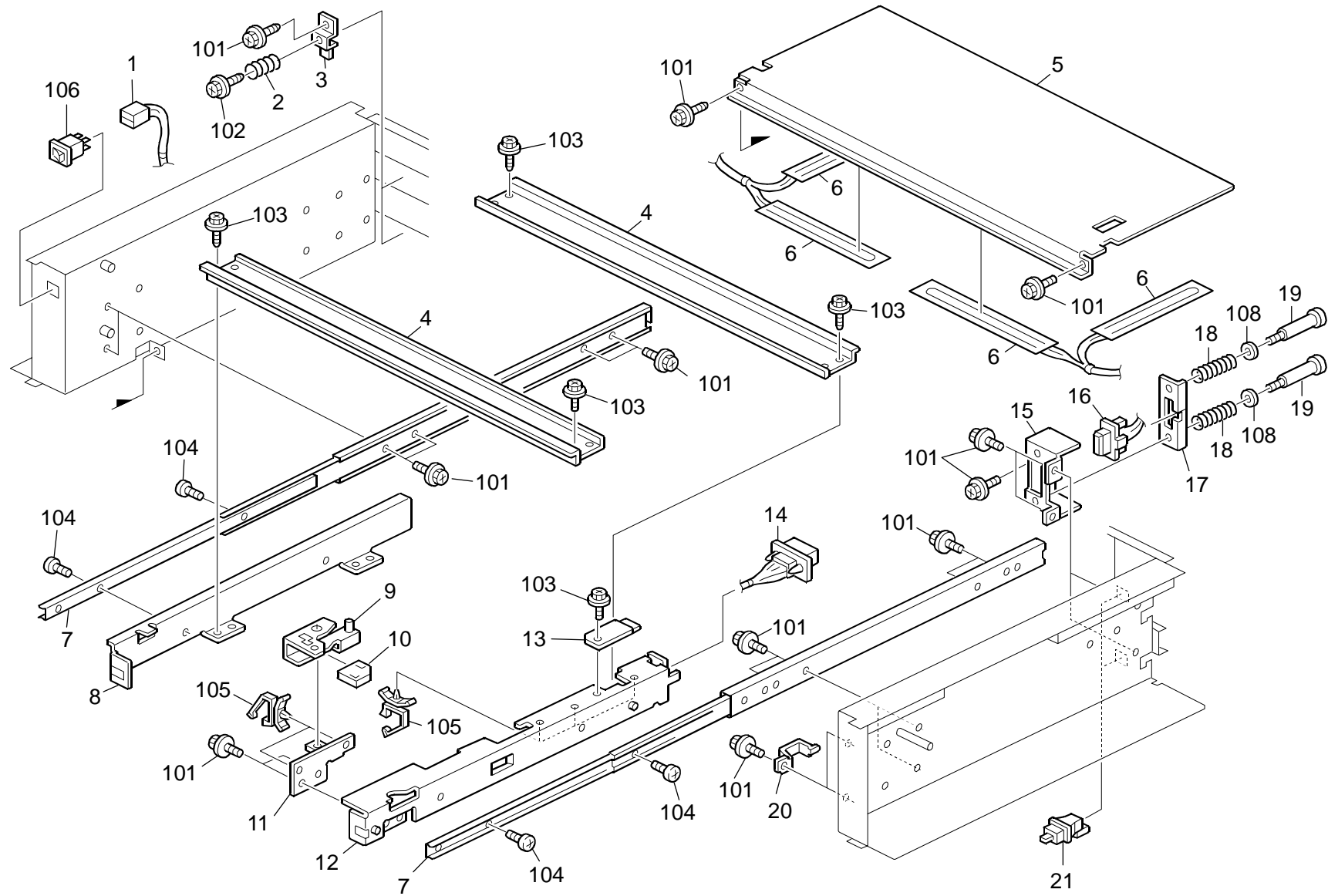


6. Drive And Electrical (B759)

Index No.	Part No.	Description	Q'ty Per Assembly
1	AA08 2101	Bushing - 6x10x6	16
2	B192 7244	Guide Plate:Shaft:Rise:Welding	2
3	B192 7248	Gear:27z	2
4	B192 7247	Shaft:Coupling	2
5	AA08 2070	Bushing - 8x16x7	14
6	B192 7499	Gear:24z	2
7	B192 7237	Shaft:Coupling:Lift Motor	2
8	B192 7163	Side Plate:Middle	1
9	B192 7165	Gear:31z	1
10	B192 7164	Shaft:Magnetic Clutch	1
11	AX21 0090	Magnetic Clutch:Development:BK	1
12	B192 7159	Gear:35z/110z	1
13	B192 7158	Gear:35z	1
14	B192 7154	Bracket:Brushless Motor	1
15	AX06 0296	Brushless Motor:24W:Z9	1
16	B192 7160	Bracket:Right	1
17	B192 7166	Gear:Pulley:44z/25t	1
18	B192 7168	Bracket	1
19	AB03 2721	Pulley - M18	1
20	5215 2621	Snap Ring - M6	1
21	B017 1755	Spring - 16x4.5mm	1
22	AA14 3790	Screw:Contact Point	1
23	B192 7249	Pulley:28t	2
24	B192 7167	Timing Belt:60S3M408	1
25	B192 7225	Bracket:Lift Motor	2
26	AX04 0144	DC Motor:Rise:Paper Tray	2
27	B192 7212	Bracket:Micro Switch	2
28	C217 4576	Spring - Release Lever	2
29	B192 5470	PCB:pFB	1
30	B192 5862	Harness:DC:Paper Feed Tray:1	1
31	B192 5867	Harness:DC:Paper Feed Tray:2	1
32	B192 5866	Harness:DC:Paper Feed Tray:Motor	1
33	B192 5868	Harness:Safety Switch	1

Index No.	Part No.	Description	Q'ty Per Assembly
101	0451 3008N	Tapping Screw - M3x8	
102	0451 3014N	Tapping Screw:3x14	
103	0802 5291	Tapping Screw:Round Point:M3x6	
104	0451 4008N	Tapping Screw:4x8	
105	0451 3006N	Tapping Screw - 3x6	
106	0720 0040E	Retaining Ring - M4	
107	1105 0367	Spacer	
108	1105 0522	Edge Saddle - LES0510	
109	1105 0518	Edge Saddle - LES-1010	
110	1105 0563	Clamp - LWSS-2N	
111	1105 0487	Harness Clamp	
112	1204 2529	Switch - V-5F912DN	

7.Frame Section (B759)



7.Frame Section (B759)

Index No.	Part No.	Description	Q'ty Per Assembly
1	B192 5861	Harness:Dehumidifier:Heater	1
2	B192 7068	Spring:Damper	4
3	B192 7067	Guide Plate:Compression Spring:Right	2
4	B192 7348	Stay:Paper Tray	4
5	B192 7066	Heat Sink:Heater	1
6	AX40 0190	Heater:120V:9W	2
6	AX40 0191	Heater:230V:9W	2
7	B192 7327	Slide Rail	4
8	B192 7324	Bracket:Rail:Left	2
9	B192 7339	Lever:Release Plate	2
10	B192 7344	Slider:Lever	2
11	B192 7336	Guide Plate:Shaft:Lever	2
12	B192 7334	Bracket:Rail:Right	2
13	B192 7338	Inner Cover:Rail:Right	2
14	B192 5863	Harness:DC:Cassette	2
15	B192 7204	Guide Plate:Connector:Welding	2
16	B192 5862	Harness:DC:Paper Feed Tray:1	1
16	B192 5867	Harness:DC:Paper Feed Tray:2	1
17	B192 7206	Bracket:Connector	2
18	B192 7207	Compression Spring:Connector	4
19	AA14 3253	Pin - Lever - Paper Spool Unit	4
20	B192 7346	Supporter:Lever:Release:Horizontal	2
21	AW50 0023	Push Switch	2

Index No.	Part No.	Description	Q'ty Per Assembly
101	0451 3008N	Tapping Screw - M3x8	
102	0451 4008N	Tapping Screw:4x8	
103	0802 5291	Tapping Screw:Round Point:M3x6	
104	0354 0050N	Screw - M4X5	
105	1105 0487	Harness Clamp	
106	1204 2499	Switch:AC250V/10A	
107	1105 0508	Harness Clamp - LWS-0711	
108	0701 0050N	Washer:Dia5	

Parts Index

PM Parts Index

Section Name	Part No.	Description in Service Manual	Description in Parts Catalog	Q'ty Per Assembly	Page and Index No.
Paper Feed 2 (B759)	AF03 0051	Pick-up Roller	Pick-up Roller	2	9 - 6
	AF03 1065	Pare Feed Roller	Pare Feed Roller	2	9 - 3
Paper Feed 3 (B759)	AF03 2050	Separation Roller	Separation Roller	2	11 - 6

Parts Index

Part No.	Description	Page and Index No.
B759 7271	Paper Tray:Lower Position:EU:Sub-Ass'y	5 - 1

Part No.	Description	Page and Index No.
A134 2976	Stopper Lever	5 - 9
A134 2978	Spring Plate	5 - 8
A193 1759	Stepped Screw	5 - 14
A222 6373	Pad:Side Fence:Front:Small	5 - 13
A222 6374	Pad:Side Fence:Inner Back:Small	5 - 10
B010 2900	Grip Lever	7 - 5
B017 1755	Spring - 16x4.5mm	13 - 21
B039 2821	Rear Stopper Lever	5 - 12
B104 2552	Pickup Arm	9 - 7
B104 2582	Torque Limiter - 1100	11 - 7
B104 2600	Pressure Plate	11 - 12
B104 2614	Gear - 22Z	9 - 5
B104 2618	Gear - 35Z	9 - 20
B104 2668	Pressure Pickup Spring	9 - 8
B104 2670	Release Pickup Spring	9 - 17
B104 2672	Spring:Separate:Pressure	11 - 13
B104 2674	Release Separate Spring	11 - 17
B104 2676	Vertical Transport Spring	7 - 10
B104 2684	Roller Clutch	9 - 9
B104 2949	Front Pawl	5 - 28
B104 2954	Rear Pawl	5 - 29
B104 4331	Arm Bracket Ass'y	3 - 8
B192 5470	PCB:PFB	13 - 29
B192 5861	Harness:Dehumidifier:Heater	15 - 1
B192 5862	Harness:DC:Paper Feed Tray:1	15 - 16
B192 5862	Harness:DC:Paper Feed Tray:1	13 - 30
B192 5863	Harness:DC:Cassette	15 - 14
B192 5864	Harness:DC:Cassette	11 - 1
B192 5865	Harness:DC:Cassette:Sensor	5 - 19
B192 5866	Harness:DC:Paper Feed Tray:Motor	13 - 32
B192 5867	Harness:DC:Paper Feed Tray:2	15 - 16
B192 5867	Harness:DC:Paper Feed Tray:2	13 - 31
B192 5868	Harness:Safety Switch	13 - 33
B192 5869	Harness:Paper Feed Tray:Dehumidifier	3 - 3
B192 5870	Harness:DC:IOB-PFB	3 - 4

Part No.	Description	Page and Index No.
B192 7058	Gear:22z	9 - 21
B192 7063	Cover:Drive Sub-unit:Pickup	3 - 11
B192 7066	Heat Sink:Heater	15 - 5
B192 7067	Guide Plate:Compression Spring:Right	15 - 3
B192 7068	Spring:Damper	15 - 2
B192 7151	Gear:22z	9 - 23
B192 7154	Bracket:Brushless Motor	13 - 14
B192 7158	Gear:35z	13 - 13
B192 7159	Gear:35z/110z	13 - 12
B192 7160	Bracket:Right	13 - 16
B192 7161	Gear:22z	9 - 22
B192 7163	Side Plate:Middle	13 - 8
B192 7164	Shaft:Magnetic Clutch	13 - 10
B192 7165	Gear:31z	13 - 9
B192 7166	Gear:Pulley:44z/25t	13 - 17
B192 7167	Timing Belt:60S3M408	13 - 24
B192 7168	Bracket	13 - 18
B192 7204	Guide Plate:Connector:Welding	15 - 15
B192 7206	Bracket:Connector	15 - 17
B192 7207	Compression Spring:Connector	15 - 18
B192 7212	Bracket:Micro Switch	13 - 27
B192 7225	Bracket:Lift Motor	13 - 25
B192 7237	Shaft:Coupling:Lift Motor	13 - 7
B192 7240	Spring:Return:Gear:Rise	5 - 24
B192 7244	Guide Plate:Shaft:Rise:Welding	13 - 2
B192 7247	Shaft:Coupling	13 - 4
B192 7248	Gear:27z	13 - 3
B192 7249	Pulley:28t	13 - 23
B192 7253	Cover:Paper Size Sensor	5 - 20
B192 7254	Cover:Rotary Switch	5 - 16
B192 7255	Rotary Switch:Paper Size Sensor	5 - 17
B192 7256	Base Plate:A2:Ass'y	5 - 3
B192 7258	Side Fence:Left:Ass'y	5 - 7
B192 7260	Side Fence:Right:Ass'y	5 - 11
B192 7262	End Fence	5 - 2

Part No.	Description	Page and Index No.
B192 7266	Paper Tray:Lower Position:Sub-Ass'y	5 - 1
B192 7271	Pawl:Lock:Left	7 - 1
B192 7272	Shaft:Pawl:Lock:Coupling	7 - 6
B192 7274	Pawl:Lock:Right	7 - 2
B192 7280	Decal:Paper:Side Fence:NA	5 - 30
B192 7295	Vibrating Plate:Gear:Rise	5 - 27
B192 7296	Shaft:Rise:Gear:Middle	5 - 25
B192 7300	Gear:20z	5 - 23
B192 7306	Shaft:Rise:Press Fit	5 - 21
B192 7308	Lever:Base Plate:Rise	5 - 6
B192 7309	Lever:Auxiliary:Base Plate:Rise	5 - 5
B192 7324	Bracket:Rail:Left	15 - 8
B192 7327	Slide Rail	15 - 7
B192 7334	Bracket:Rail:Right	15 - 12
B192 7336	Guide Plate:Shaft:Lever	15 - 11
B192 7338	Inner Cover:Rail:Right	15 - 13
B192 7339	Lever:Release Plate	15 - 9
B192 7344	Slider:Lever	15 - 10
B192 7346	Supporter:Lever:Release:Horizontal	15 - 20
B192 7348	Stay:Paper Tray	15 - 4
B192 7350	Paper Feed Unit:A2:Ass'y	7 - 18
B192 7371	Guide Plate:Upper	11 - 3
B192 7375	Transport Roller:DIA24.05	9 - 16
B192 7376	DC Solenoid:Pickup:Ass'y	9 - 18
B192 7377	Guide:Paper Feed Roller	9 - 2
B192 7379	Stay:Upper Paper Feed Sub-unit	9 - 13
B192 7382	Cover:Stay	7 - 7
B192 7383	Shaft:Feed:Press Fit	9 - 10
B192 7393	Shaft:Driv	11 - 15
B192 7396	Shaft:Driven	11 - 11
B192 7400	Stay:Lower	11 - 20
B192 7403	Release Plate	11 - 16
B192 7406	Guide Plate:Vertical Transport	11 - 18
B192 7409	Guide:Vertical Transport:Turn	11 - 19
B192 7410	Ground Plate:Paper Feed Unit	11 - 8

Part No.	Description	Page and Index No.
B192 7411	Ground Plate:Shaft:Driven	11 - 22
B192 7412	Guide Plate:Reverse Roller	11 - 21
B192 7417	Seal:Vertical Transport	7 - 14
B192 7418	Guide Plate:Vertical Transport	7 - 13
B192 7420	Stay:Vertical Transport	7 - 16
B192 7421	Inner Cover:Stay:Vertical Transport	7 - 17
B192 7428	Bracket:Gear:Coupling	9 - 25
B192 7433	Gear:14/19z	9 - 26
B192 7440	Drum Stay:Paper Feed Unit:Drive	7 - 8
B192 7445	Cover:Front:Paper Tray	3 - 5
B192 7448	Decal:Pick-up Paper Jam	7 - 15
B192 7449	Decal:Paper Set Direction:A2	9 - 11
B192 7460	Decal:Installation:Pawl:NA	9 - 12
B192 7462	Decal:Side Fence:F3:NA	5 - 30
B192 7472	Decal:Cassette:Multi-language:EU	3 - 14
B192 7498	Gear:20z	5 - 26
B192 7499	Gear:24z	13 - 6
B192 7501	Cover:Left And Right	3 - 2
B192 7502	Decal:Paper Tray:Display	3 - 1
B192 7504	Decal:Size Indication	3 - 6
B192 7505	Decal:Dehumidifier:Switch	3 - 7
B192 7506	Decal:Warning (High Temperature):A2	3 - 9
B192 7507	Cover:Right	3 - 13
B192 7508	Cover:Left	3 - 12
C217 4576	Spring - Release Lever	13 - 28

Part No.	Description	Page and Index No.
AA06 0982	Spring:Lever:Lock	7 - 9
AA08 0232	Bushing - M4	7 - 11
AA08 2070	Bushing - 8x16x7	5 - 22
AA08 2070	Bushing - 8x16x7	7 - 4
AA08 2070	Bushing - 8x16x7	13 - 5
AA08 2101	Bushing - 6x10x6	13 - 1
AA08 2101	Bushing - 6x10x6	9 - 4
AA08 2101	Bushing - 6x10x6	11 - 9
AA14 3253	Pin - Lever - Paper Spool Unit	15 - 19
AA14 3790	Screw:Contact Point	13 - 22
AB01 1158	Gear - 27Z	11 - 10
AB01 2836	Gear - 25Z	9 - 24
AB01 3868	Gear - 16Z	5 - 15
AB01 4028	Gear - 18Z	11 - 14
AB03 2721	Pulley - M18	13 - 19
AF01 3014	Bottom Plate Pad	5 - 4
AF02 0295	Vertical Driven Roller	7 - 12
AF03 0051	Pick-up Roller	9 - 6
AF03 1065	Pare Feed Roller	9 - 3
AF03 2050	Separation Roller	11 - 6
AW01 0107	Paper Feed Sensor	11 - 4
AW01 0107	Paper Feed Sensor	5 - 18
AW01 0107	Paper Feed Sensor	9 - 14
AW02 0140	Paper Feed Sensor	11 - 2
AW02 0145	Photointerruptor:Flat	9 - 15
AW50 0023	Push Switch	15 - 21
AX04 0144	DC Motor:Rise:Paper Tray	13 - 26
AX06 0296	Brushless Motor:24W:Z9	13 - 15
AX20 0275	Spring Clutch:Paper Feed	9 - 19
AX21 0090	Magnetic Clutch:Development:BK	13 - 11
AX40 0190	Heater:120V:9W	15 - 6
AX40 0191	Heater:230V:9W	15 - 6

Part No.	Description	Page and Index No.
0353 0040N	Screw - M3X4	9 - 102
0354 0050N	Screw - M4X5	15 - 104
0450 4008N	Tapping Screw - M4x8	5 - 103
0451 3006N	Tapping Screw - 3x6	13 - 105
0451 3006N	Tapping Screw - 3x6	5 - 102
0451 3008N	Tapping Screw - M3x8	13 - 101
0451 3008N	Tapping Screw - M3x8	9 - 101
0451 3008N	Tapping Screw - M3x8	3 - 101
0451 3008N	Tapping Screw - M3x8	15 - 101
0451 3008N	Tapping Screw - M3x8	11 - 101
0451 3008N	Tapping Screw - M3x8	7 - 102
0451 3014N	Tapping Screw:3x14	13 - 102
0451 4008N	Tapping Screw:4x8	7 - 101
0451 4008N	Tapping Screw:4x8	5 - 101
0451 4008N	Tapping Screw:4x8	13 - 104
0451 4008N	Tapping Screw:4x8	15 - 102
0451 4008N	Tapping Screw:4x8	3 - 102
0452 3008N	Tapping Screw - M3x8	11 - 102
0452 3008N	Tapping Screw - M3x8	9 - 103
0452 4010N	Binding Self-Tapping Screw:4x10	7 - 105
0453 3008N	Binding Self Tapping Screw:3x8	7 - 104
0701 0050N	Washer:Dia5	15 - 108
0720 0040E	Retaining Ring - M4	11 - 103
0720 0040E	Retaining Ring - M4	9 - 104
0720 0040E	Retaining Ring - M4	13 - 106
0720 0060E	Retaining Ring - M6	5 - 105
0802 5291	Tapping Screw:Round Point:M3x6	7 - 103
0802 5291	Tapping Screw:Round Point:M3x6	15 - 103
0802 5291	Tapping Screw:Round Point:M3x6	13 - 103
0805 3366	Bushing - 6mm	9 - 105
1105 0329	Clamp - ES-0510	9 - 106
1105 0367	Spacer	13 - 107
1105 0487	Harness Clamp	7 - 107
1105 0487	Harness Clamp	15 - 105
1105 0487	Harness Clamp	3 - 103

Part No.	Description	Page and Index No.
1105 0487	Harness Clamp	13 - 111
1105 0488	Harness Clamp	3 - 104
1105 0508	Harness Clamp - LWS-0711	15 - 107
1105 0511	Harness Clamp - LWS-0306ZC	9 - 107
1105 0511	Harness Clamp - LWS-0306ZC	5 - 104
1105 0511	Harness Clamp - LWS-0306ZC	11 - 104
1105 0511	Harness Clamp - LWS-0306ZC	7 - 106
1105 0514	Edge Saddle - EDS-0607L	9 - 108
1105 0517	Harness Clamp - LWS-2111Z	3 - 105
1105 0518	Edge Saddle - LES-1010	13 - 109
1105 0522	Edge Saddle - LES0510	13 - 108
1105 0534	Clamp	11 - 105
1105 0563	Clamp - LWSS-2N	13 - 110
1106 0349	Bushing - 25	3 - 106
1106 0411	Bushing - 11.5mm	3 - 107
1204 2499	Switch:AC250V/10A	15 - 106
1204 2529	Switch - V-5F912DN	13 - 112

Part No.	Description	Page and Index No.
5215 2621	Snap Ring - M6	13 - 20
5403 1030	Tension Spring	7 - 3
5447 2681	Snap Ring	9 - 1
5447 2681	Snap Ring	11 - 5
5918 3120	Stud - M4	3 - 10

Part No.	Description	Page and Index No.
----------	-------------	--------------------